



McFarland – TriTan, LLC
 The “High Pressure” Specialists!

Series MAC DHT- 24

**PORTABLE PNEUMATIC-POWERED
 HYDROSTATIC TEST PUMP**

API 675 Compliant

Pressure up to 37,350 PSI | Capacity up to 7,052 GPD

Features

- * Dolly mounted
- * Easy test pressure adjustment.
- * Especially engineered for hydrostatic testing applications.
- * API 675 Compliant
- * Light weight (124 lbs.).
- * High pressure discharge hose (15 ft.)
- * Pneumatic - Powered
- * Easy maintenance.
- * Test fluids: water, brine or oil

Volume and Pressure Chart

Plunger or Piston Size(“)	* Volume – Gallons @100 cpm			@ 100 psi Input Pressure	
	Minute	Hour	24 Hours	** Operating Pressure	*** Stall Pressure
3/16"	0.04	2.58	62	30,765	37,350
1/4"	0.08	4.62	111	17,297	21,000
5/16"	0.12	7.14	172	11,070	13,440
3/8"	0.17	10.32	248	7,690	9,340
1/2"	0.31	18.36	441	4,325	5,250
5/8"	0.49	28.68	689	2,770	3,360
3/4"	0.69	41.34	992	1,920	2,330
1"	1.22	73.44	1,763	1,080	1,310
1 ¼"	1.91	114.70	2,753	690	840
1 ½"	2.75	165.20	3,966	480	580
1 ¾"	3.75	224.90	5,397	350	430
2"	4.90	293.80	7,052	270	330



MAC DHT- 24

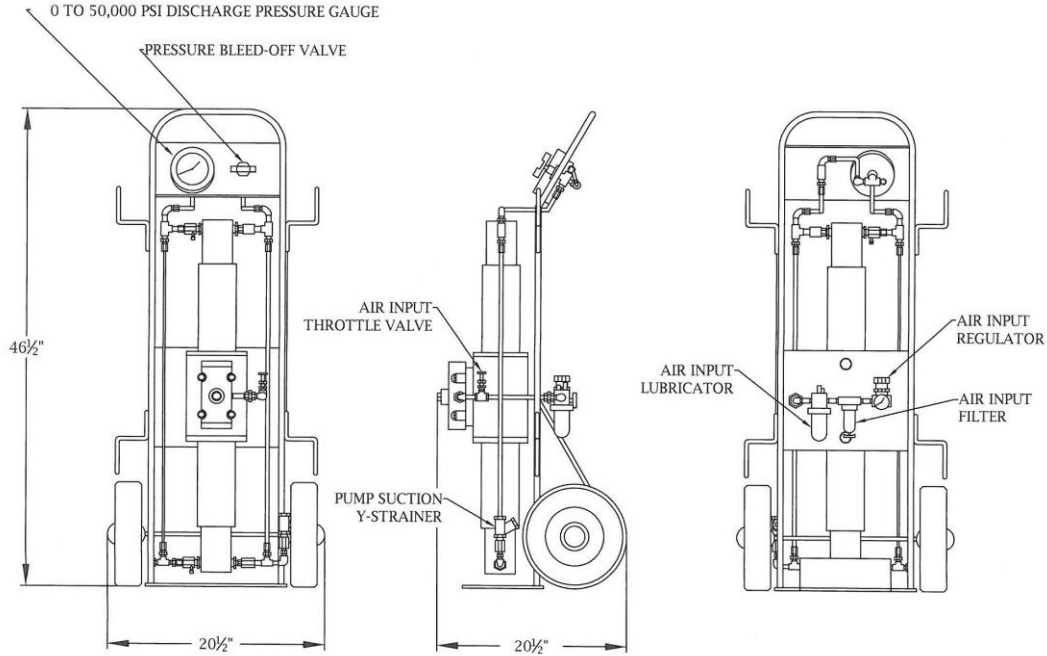
Portable Pneumatic-Powered

Hydrostatic Test Pump

* Volume based on 90% theoretical maximum
 ** Stall Pressure based on 85% efficiency
 *** Gas Consumption @ 100 psi and 100 cpm = 22 SCFM

Series MAC DHT - 24

PORTABLE PNEUMATIC - POWERED HYDROSTATIC TEST PUMP



SPECIFICATIONS

- * Power Piston Size 4" * Stroke Length: 2" * Cycles / min. adjustable to: 100 cpm
- * Max Input Pressure: 100 psi * Power Gas Max Consumption: 22 SCFM * Temperature Limit: - 20° to 140 °F

Materials of Construction

- * Fluid end – Carbon steel or St.St (optional).
- * Plunger – Stainless steel 17-4ph
- * Power body – Cast aluminum.
- * Air valve housing - Aluminum.
- * Manifolding – Carbon steel or St.St (optional).
- * Check valves- Stainless steel.
- * Air valve core – Brass

Standard Equipment

- * Air regulator pressure gauge
- * Air supply shut-off valve
- * Air supply lubricator
- * Air/Gas input filter
- * Discharge pressure hose (15 ft.)
- * Y- type Suction strainer



McFarland – TriTan, LLC
921 Seaco Court, Deer Park, TX 77536
Tel :1-713-864-3366 | Fax : 1-713-864-3252
Email: sales@tritanpump.com, www.tritanpump.com



921 Seaco Court, Deer Park, TX 77536, USA
Email: sales@mcfarlandpump.com

Tel: 1-713-864-3366 /
www.mcfarlandpump.com

Fax: 1-713-864-3252
www.mcfarlandpumpgroup.com